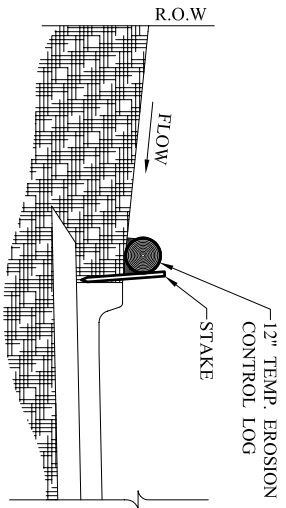
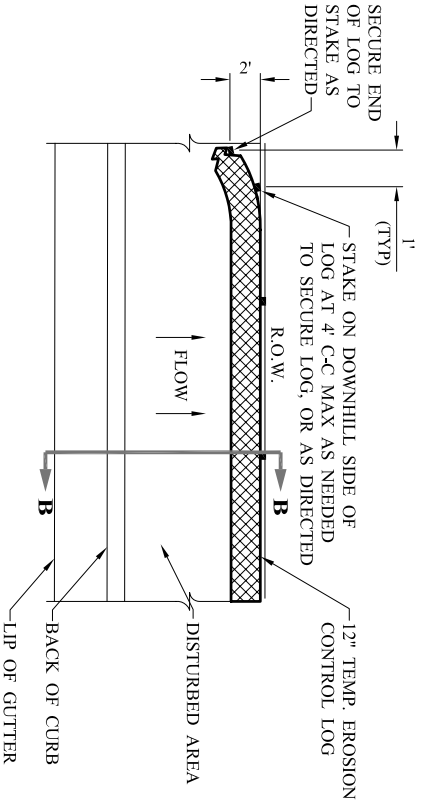


**PLAN VIEW**  
NOT TO SCALE

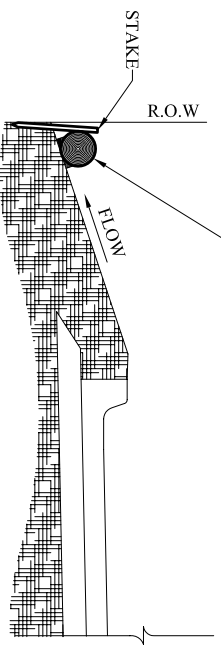


**SECTION A-A**

**LOG PLACED AT BACK OF CURB**  
NOT TO SCALE

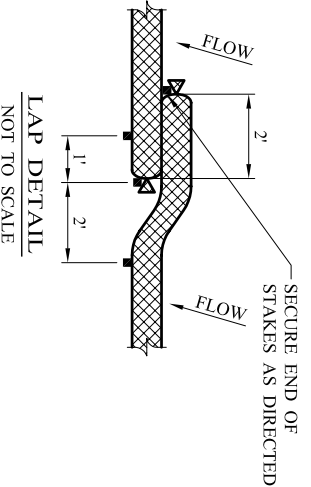


**PLAN VIEW**  
NOT TO SCALE



**SECTION B-B**

**LOG PLACED AT EDGE OF RIGHT-OF-WAY**  
NOT TO SCALE



**LAP DETAIL**  
NOT TO SCALE

**NOTES**

SEE SHEET S-CC-4 FOR GENERAL NOTES.