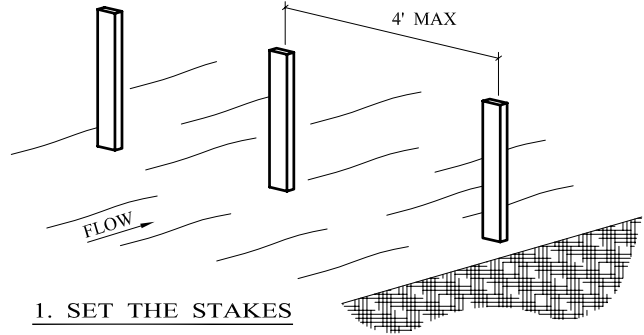
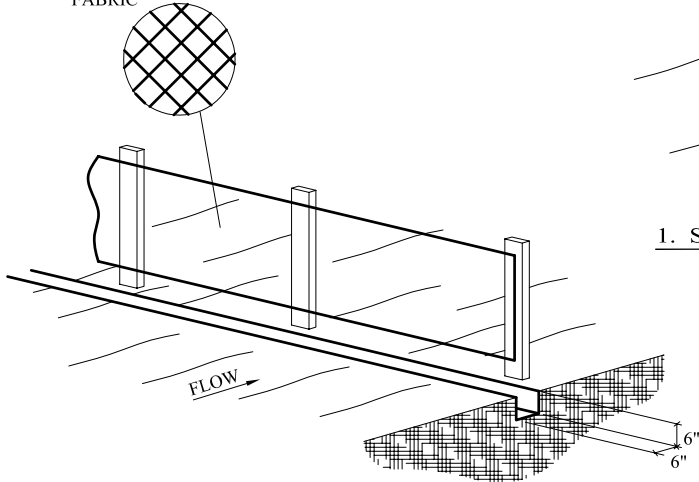


2" WIRE
REINFORCED
FABRIC

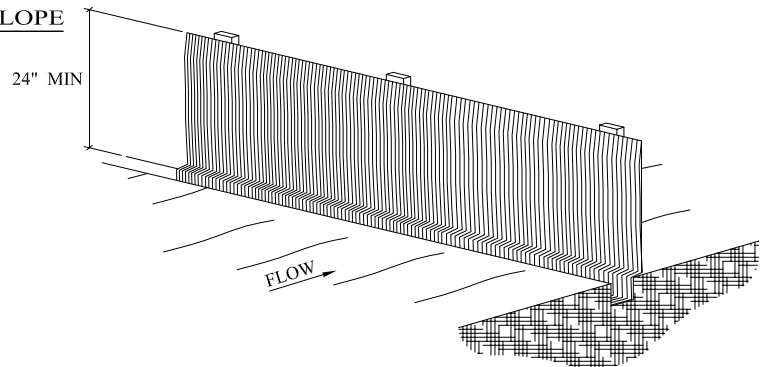


1. SET THE STAKES

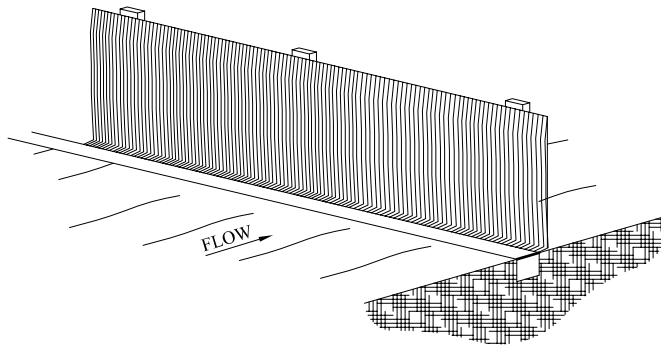
NOTE:

WOODEN STAKES OR STEEL TEE POST ACCEPTABLE. WIRE REINFORCED FABRIC SHALL BE SECURELY ATTACHED TO THE POST. FABRIC WILL ALWAYS BE ON THE SIDE FACING THE FLOW.

**2. EXCAVATE A 6" x 6" TRENCH UPSLOPE
ALONG THE LINE OF STAKES**



**3. STAPLE OR TIE FILTER MATERIAL TO
STAKES AND EXTEND IT INTO THE TRENCH**



**4. BACKFILL AND COMPACT THE
EXCAVATED SOIL**

NOTES:

1. STEEL POSTS WHICH SUPPORT THE SILT FENCE SHALL BE INSTALLED ON A SLIGHT ANGLE TOWARD THE ANTICIPATED RUNOFF SOURCE. POST MUST BE EMBEDDED A MINIMUM OF ONE FOOT.
2. A CITY-APPROVED FILTER FABRIC WILL BE USED.
3. THE TRENCH MUST BE MINIMUM OF 6 INCHES DEEP AND 6 INCHES WIDE TO ALLOW FOR THE SILT FENCE FABRIC TO BE LAID IN THE GROUND AND BACKFILLED WITH COMPACTED MATERIAL.
4. SILT FENCE SHOULD BE SECURELY FASTENED TO EACH WOODEN OR STEEL SUPPORT POST. THERE SHALL BE A 3 FOOT OVERLAP, SECURELY FASTENED, WHERE ENDS OF FABRIC MEET.
5. INSPECTION SHALL BE MADE WEEKLY OR AFTER EACH $\geq 1/2$ " RAINFALL EVENT AND REPAIR OR REPLACEMENT SHALL BE MADE PROMPTLY AS NEEDED.
6. SILT FENCE SHALL BE REMOVED WHEN THE SITE IS COMPLETELY STABILIZED SO AS NOT TO BLOCK OR IMPEDE STORM FLOW OR DRAINAGE.
7. ACCUMULATED SILT SHALL BE REMOVED WHEN IT REACHES A DEPTH OF 6 INCHES. THE SILT SHALL BE DISPOSED OF IN AN APPROVED SITE AND IN SUCH A MANNER AS TO NOT CONTRIBUTE TO ADDITIONAL SILTATION.

CITY OF SAN ANGELO

SILT FENCE STANDARDS

S-CC-1